

目錄

page

2-	電子及機構特性表
3-	成品照片
4-	VSWR , PATTERN
5 ~ 6-	SMA RF 接頭特性資料

復古科技有限公司)
FUGU ANTENNA & BUSINESS

TECHNICAL DATA

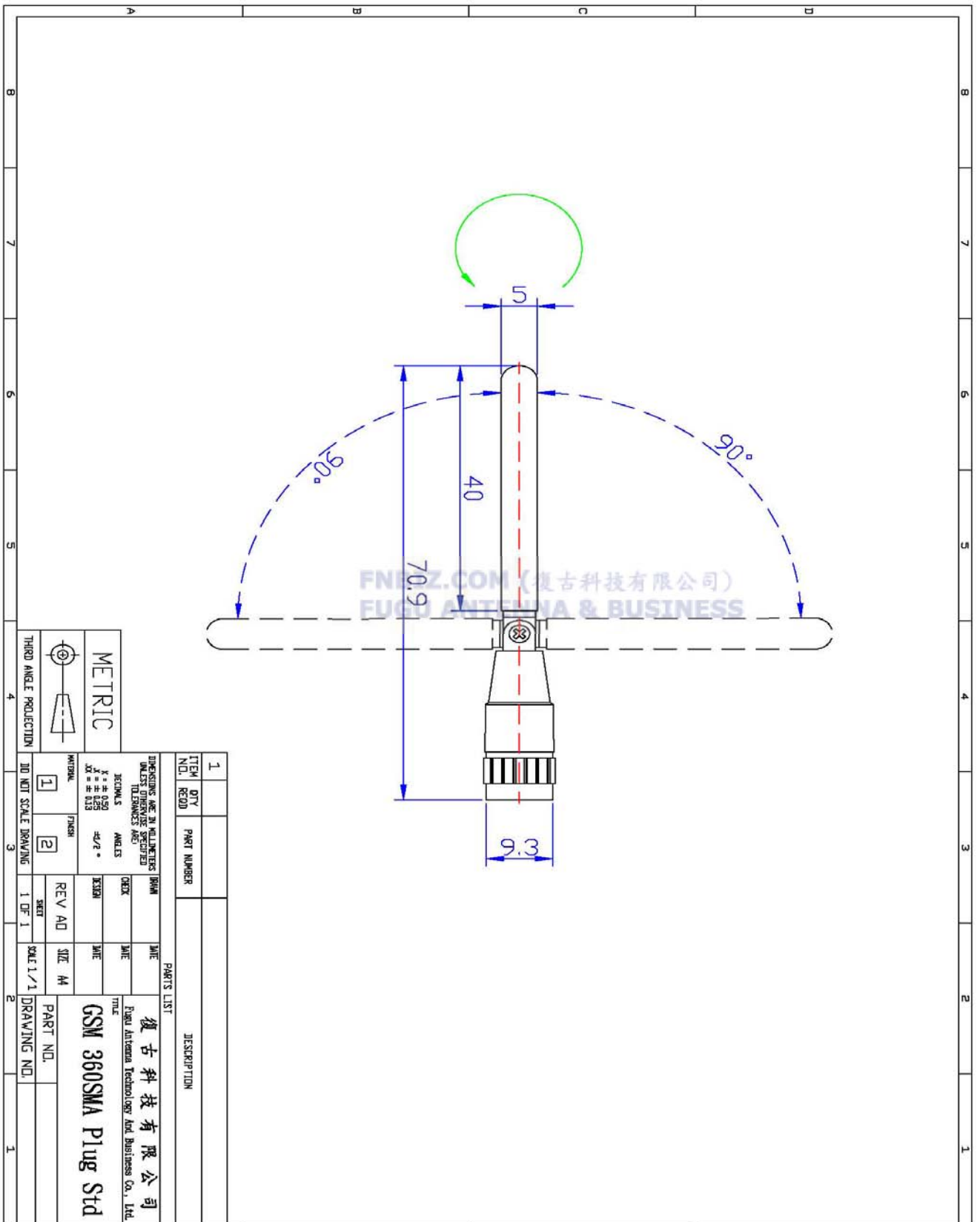
ELECTRICAL PROPERTIES

FREQUENCY RANGE	850~970 1710~1990 MHz
IMPEDENCE	50Ω
VSWR	≤2
RADIATION	OMNI
POLARIZATION	VERTICAL
CONNECTOR	SMA PLUG STD.

MECHANICAL PROPERTIES

ANTENNA COVER COLOR	BLACK
OPERATION TEMPERATURE	-20 ~ +60 °C
STORAGE TEMPERATURE	-30 ~ +75 °C

成品圖



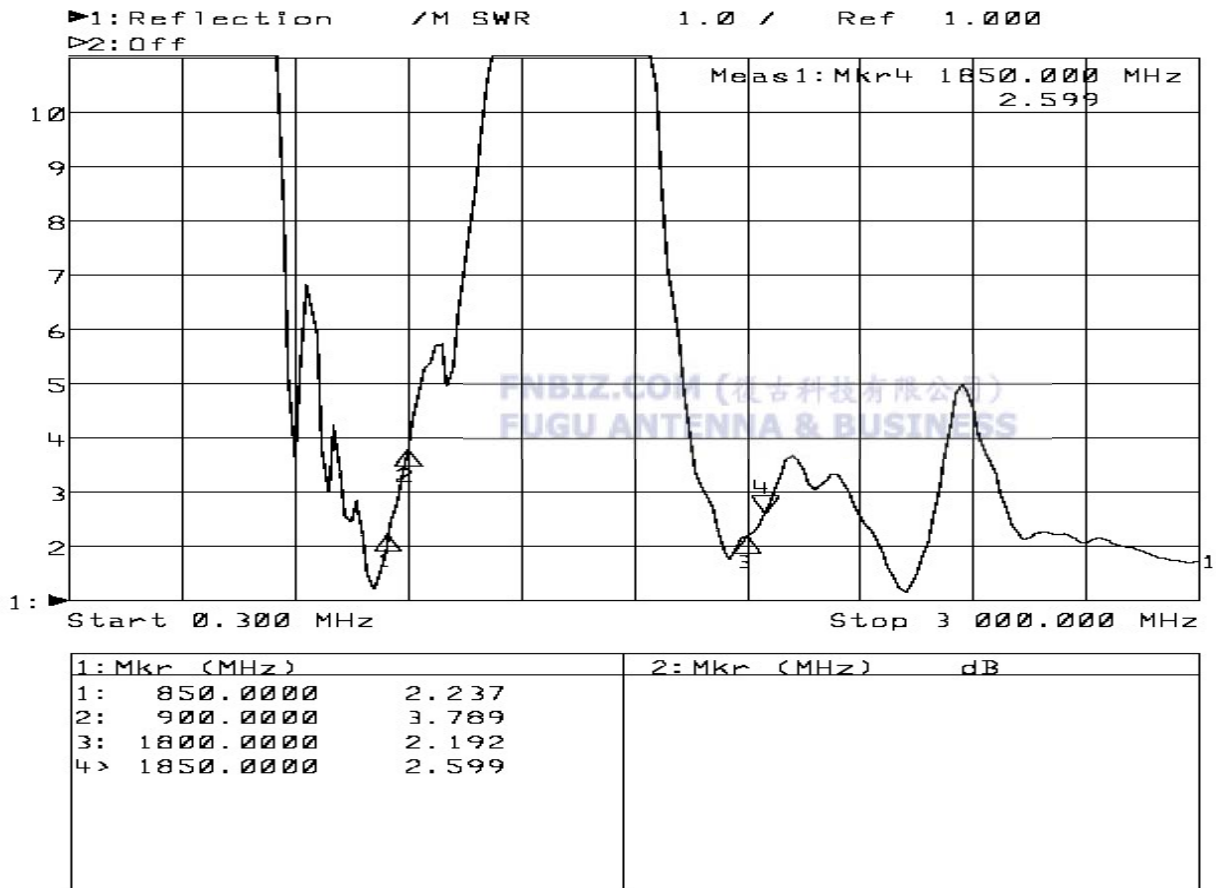
ITEM NO.	QTY	RECD	PART NUMBER	DESCRIPTION
1				

PARTS LIST	
UNIT	QTY
DESCRIPTION	
DIMENSIONS ARE IN MILLIMETERS UNLESS OTHERWISE SPECIFIED	
TOLERANCES ARE:	
DECIMALS	ANGLES
± 0.25	± 0.5°
± 0.13	

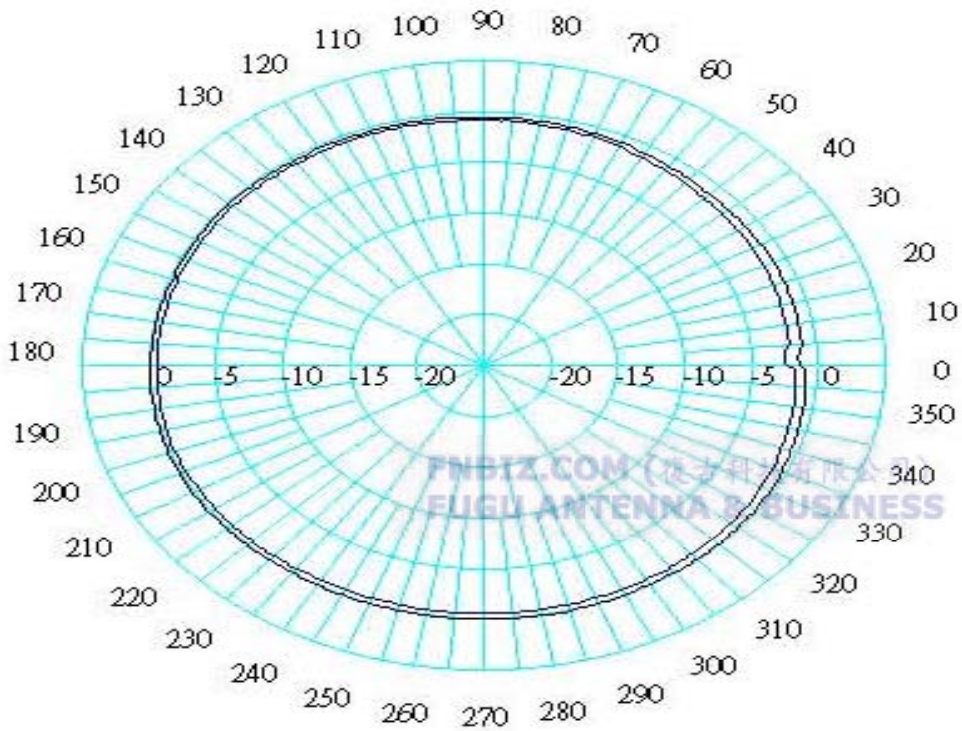
METRIC	
THIRD ANGLE PROJECTION	
1	2
FINISH	REV AD
SIZE	DATE
PART NO.	DRAWING NO.

FUGU ANTENNA TECHNOLOGY AND BUSINESS CO., LTD.	
GSM 360SMA Plug Std	
SCALE	1/1
SHEET	1 OF 1
DRAWING NO.	

VSWR

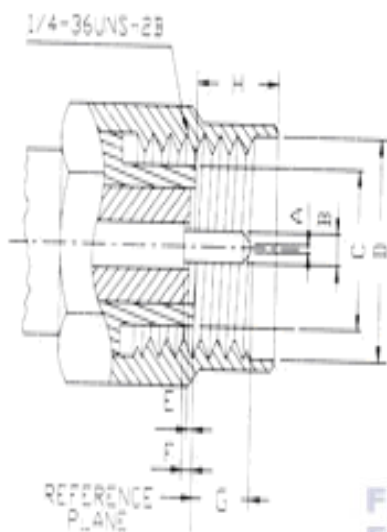


H-PLANE



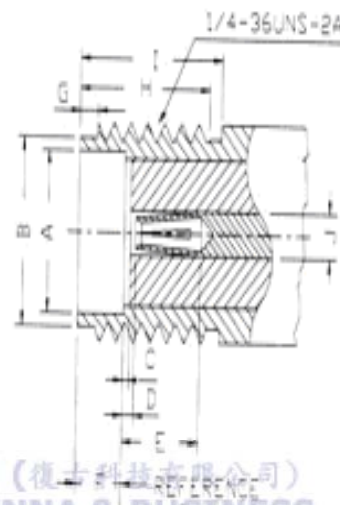
SMA

Interface Dimensions:



PLUG

Letter	Millimeters (Inches)	
	Minimum	Maximum
A	0.00 (.000)	0.38 (.015)
B	0.90 (.0355)	0.94 (.037)
C	—	4.59 (.1808)
D	6.35 (.250)	—
E	0.00 (.000)	0.18 (.007)
F	0.00 (.000)	0.25 (.010)
G	—	2.54 (.100)
H	—	3.43 (.135)



JACK

Letter	Millimeters (Inches)	
	Minimum	Maximum
A	4.60 (.1810)	4.67 (.1837)
B	5.28 (.208)	5.49 (.216)
C	0.00 (.000)	0.18 (.007)
D	0.00 (.000)	0.25 (.010)
E	2.92 (.115)	—
F	1.88 (.074)	1.98 (.078)
G	0.38 (.015)	1.14 (.045)
H	4.32 (.170)	—
I	5.54 (.218)	—
J	1.24 (.049)	1.30 (.051)

FNBIZ.COM (復古科技有限公司)
FUGU ANTENNA & BUSINESS

Electrical:

Impedance	50 ohm
Frequency Range	0 to 4 GHz · for flexible cable → max operation frequency of cable per MIL-C-17
VSWR	· 1.05+0.005 × f GHz max (straight) · 1.15+0.015 × f GHz max (right angle) RG-402(.141"OD.) → 1.05+0.005 × f GHz max RG-405(.085"OD.) → 1.05+0.005 × f GHz max RG-58,141,142,223 → 1.10+0.01 × f GHz max (straight) 1.15+0.02 × f GHz max (right angle) RG-174,188,316 → 1.15+0.01 × f GHz max (straight) 1.18+0.02 × f GHz max (right angle) RG-178,196 → 1.20+0.020 × f GHz max (straight) 1.25+0.025 × f GHz max (right angle)
Voltage Rating	· RG-402(.141"OD.) → 500 volts rms max · RG-405(.085"OD.) → 335 volts rms max · RG-58,141,142,223 → 500 volts rms max · RG-174,188,316 → 335 volts rms max · RG-178,196 → 250 volts rms max
Dielectric Withstanding Voltage	· RG-402(.141"OD.) → 1,000 volts rms max · RG-405(.085"OD.) → 750 volts rms max · RG-58,141,142,223 → 1,000 volts rms max · RG-174,188,316 → 750 volts rms max · RG-178,196 → 500 volts rms max
Contact Resistance	center contact=3.0 Milliohms max outer contact=2.0 Milliohms max
RF Leakage	-(90-f GHz)dB min
Insertion Loss	.04 dB maximum × √f GHz (straight) .06 dB maximum × √f GHz (right angle)
Insulation Resistance	5,000 Megohms min

Mechanical & Environmental:

Mating	1/4"-36 threaded coupling
Durability	500 matings
Coupling Nut Retention	Min 60 lbs
Recommend Nut Mating Torque	8 inch-pounds
Cable Retention	RG-58,141,142,223 → 40 lbs min RG-174,188,316 → 20 lbs min
Temperature Range	-65 °C to 165 °C
Vibration	MIL-STD-202 Method 204 Test Cond. D.
Salt Spray	MIL-STD-202 Method 101 Test Cond. B.
Temperature Cycling	MIL-STD-202 Method 102 Test Cond. C.

Material:

	Material	Plating
Connector Body	Brass	gold
Center Contact	Brass	3-5 μ" gold 3-5 μ" gold
Insulation	Teflon	None
Gasket		None
Crimp Ferrule	Brass	Same as Body